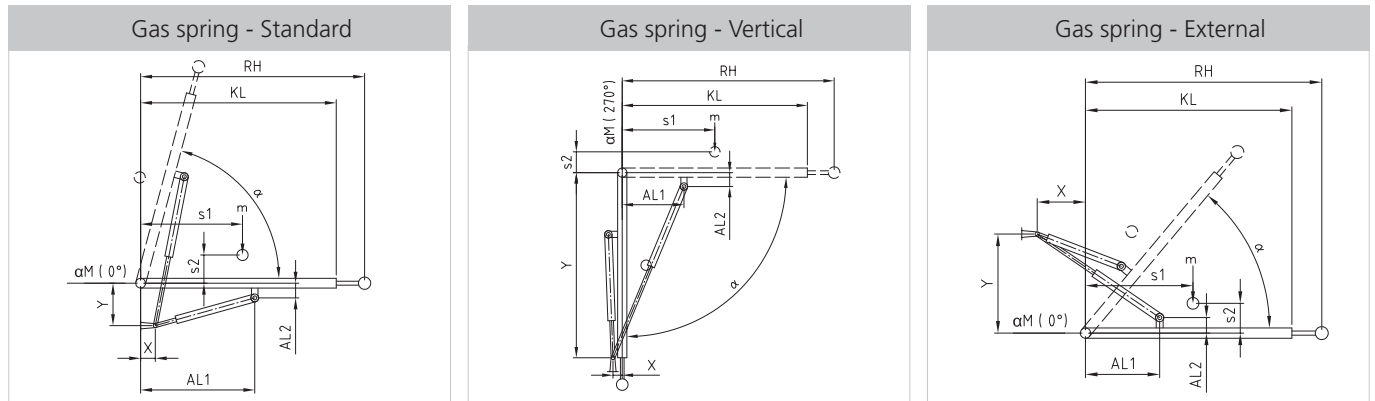


Assembly Recommendation

Use the experience of our experts and fill out the assembly recommendation. You will get an offer without obligation. Please tell us your requirements and choose your assembly situation.
Please fill out all fields marked with *



Required details		End fittings	
* Lid/Door weight (1 kg = 2.2lb)	m <input type="text"/> kg		
Center of mass	s1 <input type="text"/> mm		
	s2 <input type="text"/> mm		
Desired hand force (1 lb = 4.448 N)	<input type="text"/> N		
* Starting angle	α_M <input type="text"/> °		
* Opened angle	α <input type="text"/> °		
* Lid/Door length	KL <input type="text"/> mm		
Radius handforce	RH <input type="text"/> mm		
* Number of gas springs per lid/door	# <input type="text"/> pcs.		
		* Operation area	<input type="text"/>
		* Gas Spring Material	Steel 304 SS 316 SS

Gas spring fixing point		Contact details	
<p>If the mounting points of the gas spring are known just give data for the "min" and "max" distance.</p> <p>If the assembly space for the gas spring is limited please show this indicating the data for "min" and "max" points.</p>			
Distance values			
Fixed point			
x-coordinate			
x min <input type="text"/> mm	x max <input type="text"/> mm		
y-coordinate			
y min <input type="text"/> mm	y max <input type="text"/> mm		
Mounting point			
AL1 min <input type="text"/> mm	AL1 max <input type="text"/> mm		
AL2 min <input type="text"/> mm	AL2 max <input type="text"/> mm		
		* Name	<input type="text"/>
		* Company	<input type="text"/>
		* Address	<input type="text"/>
		* ZIP / City	<input type="text"/>
		Country	<input type="text"/>
		* Telephone	<input type="text"/>
		Fax	<input type="text"/>
		* E-Mail	<input type="text"/>
		Amount of springs	<input type="text"/>
		Order number	<input type="text"/>
		<input type="button" value="Print Inquiry"/> <input type="button" value="Send Inquiry"/>	