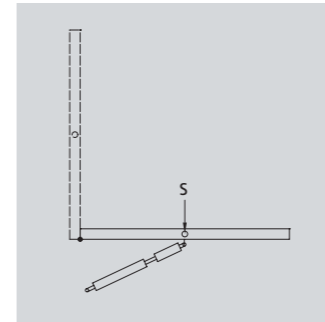


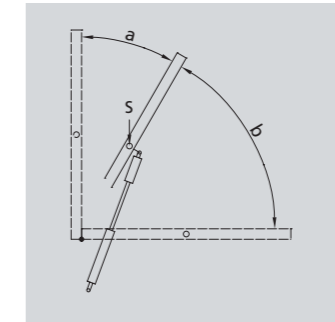
The special advantage of Stabilus IndustryLine gas springs is the solution of customer-specific tasks, for which we also develop unusual springs and products. The patent-protected double-stroke spring is an example of this.



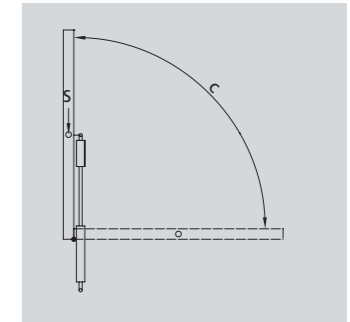
Hahn Gasfedern has developed special double-stroke springs for heavy flaps with a large opening angle, which are characterized by a low starting and a high ultimate force. These springs have two pressure cylinders that can be filled differently and thus are able to cover two force ranges. The compression of the piston rod generates a bent characteristic curve, which can be better adjusted to the force progression of the flap.



In this position, the point of gravity S is furthest away from the pivot point. The strongest force is required for opening the flap. Both strokes are compressed. The cylinder with the stronger force opens it.



In this position, the point of gravity S moves closer to the pivot point. A weaker spring force is required. Stroke 1 is extended in this position. The spring part 2 with the weaker force now becomes effective.



In this position, the point of gravity S is close to or directly on the pivot point. A weak spring force is required. Both strokes are fully extended.

Double-stroke springs are specially designed for the application you require. The force ranges are exactly attuned to each other and adapted to the required kinematics. Stabilus IndustryLine double-stroke springs are available in steel, AISI 303/304 and AISI 316L/316Ti.

